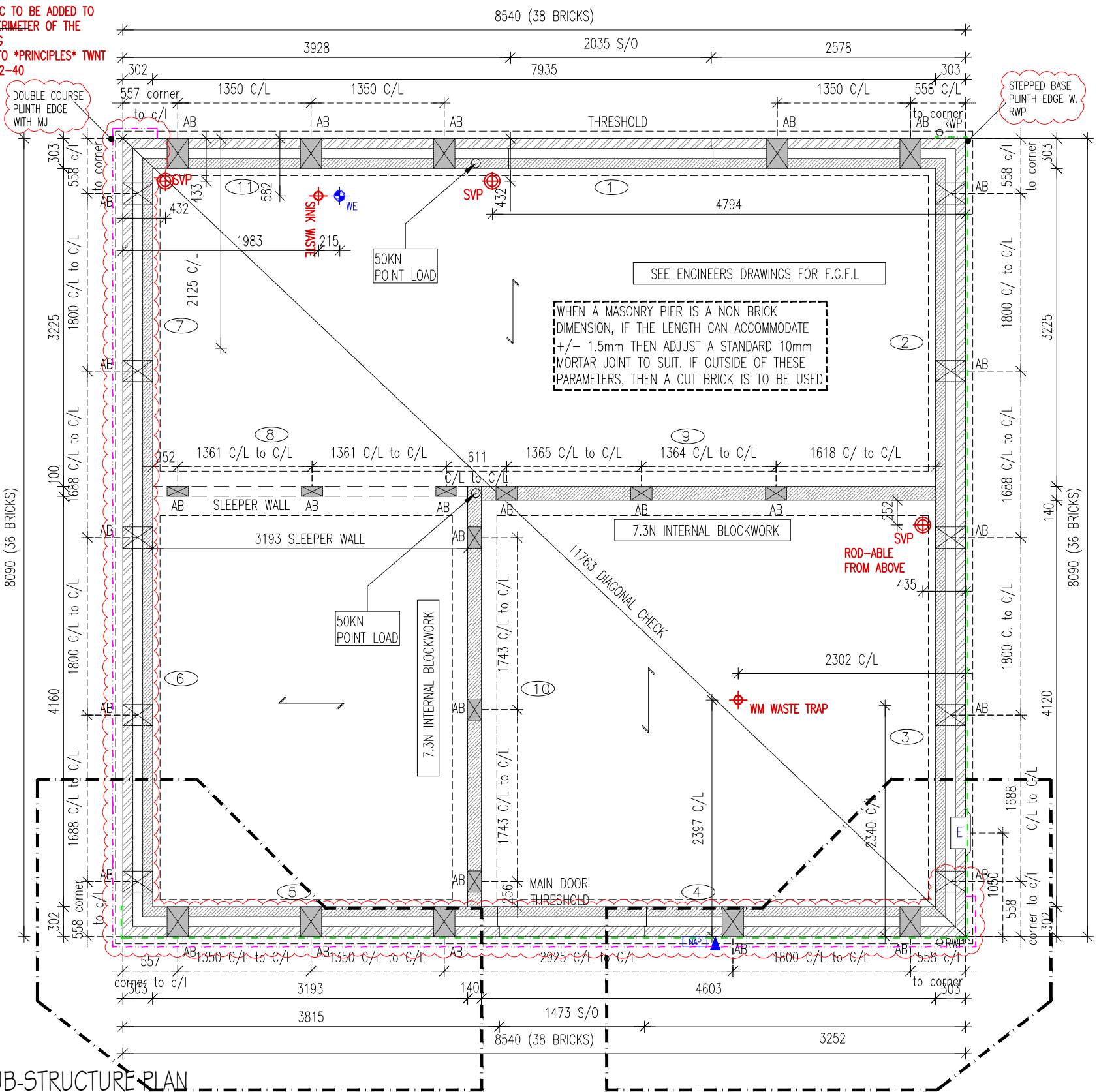
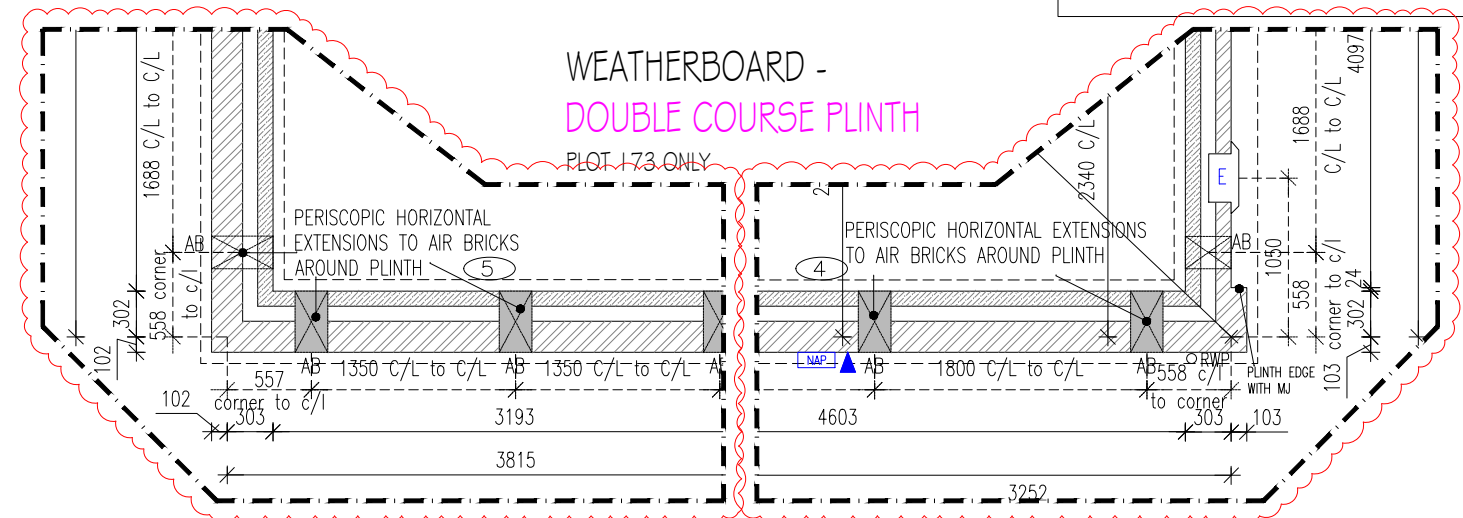
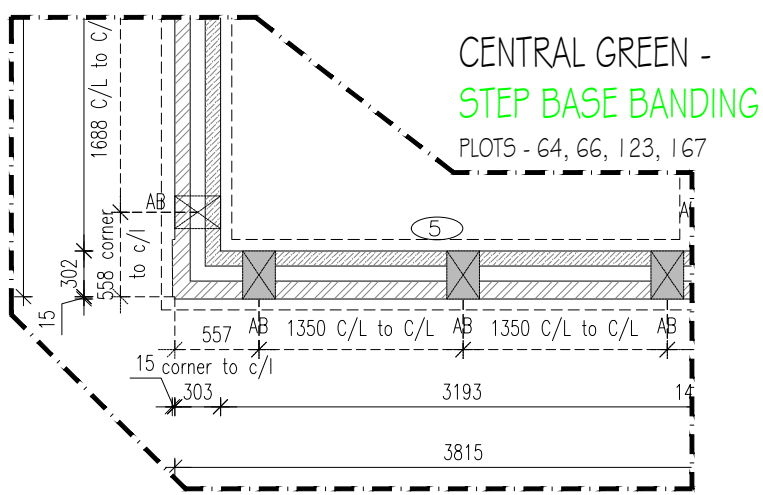


2ND DPC TO BE ADDED TO FULL PERIMETER OF THE BUILDING
REFER TO *PRINCIPLES* TWNT GF13-02-40



SUB-STRUCTURE PLAN
EMB51 (5B7P)



- SUBSTRUCTURE BLOCKWORK HATCH (MASONRY)**
- EXTERNAL WALLS**
- 100mm BLOCKWORK - 3.6N/mm² AIRCRETE (600-800kg/m³, 0.15W/mk).
 - 100mm BLOCKWORK - 7.3N/mm² AIRCRETE (600-800kg/m³, 0.15W/mk).
- INTERNAL WALLS**
- 100mm BLOCKWORK - 3.6N/mm² AIRCRETE (600-800kg/m³) FOR INTERNAL LOAD BEARING WALLS
 - 140mm BLOCKWORK - 3.6N/mm² AIRCRETE (600-800kg/m³) FOR INTERNAL LOAD BEARING WALLS
 - 140mm BLOCKWORK - 7.3N/mm² AIRCRETE (600-800kg/m³) FOR INTERNAL LOAD BEARING WALLS
- PARTY WALLS**
- 100mm BLOCKWORK - 3.6N/mm² AIRCRETE (600-800kg/m³, 0.15W/mk) FOR E-WM-30, REFER TO SITE SPECIFICATION.

- AB DENOTES LOCATION OF TELESCOPIC UNDERFLOOR AIR BRICKS.
- AB DENOTES LOCATION OF ADDITIONAL TELESCOPIC UNDERFLOOR AIRBRICKS TO EXTERNAL WALLS WHEN A BASIC RADON OR OTHER GAS MEMBRANE IS INSTALLED. VENTILATION REQUIREMENT TO BE ADJUSTED TO SUIT SITES WITH MORE SEVERE CONTAMINATION OR REQUIREMENTS. AIRBRICK VENTILATION FOR RADON OR OTHER GAS POSITIONED IN EXTERNAL WALLS AT MAX. 2.0M C/C AND 450MM FROM EXTERNAL CORNERS IN ADDITION TO THE STANDARD VENTILATION/AIRBRICKS CALCULATED.
- ALL DIMENSIONS FOR SERVICES HAVE BEEN MEASURED FROM THE EXTERNAL WALL LINE.

FOR SURFACE WATER & RWP CALCULATIONS, REFER TO LAYOUT - DWG# EMB51_43

GUTTER SIZE & RWP POSITIONS TO BE DESIGNED BY SITE ENGINEER WITH DOWNPIPES LOCATIONS IN ACCORDANCE WITH DEVELOPMENT DRAINAGE LAYOUT, SITE CONDITIONS AND EXPANSION JOINT LOCATIONS

BOILER OVERFLOW TO DISCHARGE TO SVP TO INCLUDE AIR TRAP

NOTE : TABLE OMITTS FOUNDATION SELF-WEIGHT

EMB51 FOUNDATION LOADS KN/M. run					
WALL NUMBER	1	2	3	4	5
GROUND BEARING SLAB	60	60	60	60	50
SUSPENDED CONCRETE SLAB	70	60	60	70	60
BEAM & BLOCK (JET FLOOR)	70	60	60	70	60

EMB51 FOUNDATION LOADS KN/M. run						
WALL NUMBER	6	7	8	9	10	11
GROUND BEARING SLAB	70	60	10	50	30	50
SUSPENDED CONCRETE SLAB	70	60	20	60	30	60
BEAM & BLOCK (JET FLOOR)	70	60	20	60	50	60

*- LOAD FOR 1 SIDE OF PARTY WALL ONLY. THE LOAD SHOULD BE ADDED TO THE PARTY WALL LOAD FOR THE HOUSE TYPE ON THE OTHER SIDE.

Approved Document C - Under floor ventilation requirements

Under floor ventilation to be provided to suit the greater of the air calculations: By floor area or by External wall length

Measure	M ² or M	Unit mm ²	Total Air Req mm ²	Manthorpe Vent size mm ²	Min. Vents Req
Floor Area	59.39	500	29695	6450	5
Mid Unit Ext Wall	n/a	1500	n/a	6450	n/a
End Unit Ext Wall	n/a	1500	n/a	6450	n/a
Det Unit Ext Wall	30.84	1500	46260	6450	8

FOR GROUND FLOOR CONSTRUCTION, REFER TO MANUFACTURERS DETAILS

DRAINAGE SETTING OUT SHOWN INDICATIVELY, SITE ENGINEER TO CONFIRM

SUB-STRUCTURE LEGEND

- ABBREVIATIONS**
- E = ELECTRIC METER
 - RWP = RAIN WATER PIPE
 - L# = LINTEL REFERENCE
 - SVP = SOIL VENT PIPE
 - RE = RODDING EYE
- LEGEND**
- ▲ = TELECOM ENTRY POINT
 - ◆ = WATER ENTRY POINT
 - ▲ (blue) = NETWORK ACCESS POINT
 - ◆ (blue) = CONSUMER SERVICE UNIT
 - ⊕ = DIRECT DRAINAGE CONNECTION
 - ⊕ (red) = WASTE CONNECTION

SUB STRUCTURE NOTES :

- THIS DRAWING MUST NOT BE SCALED.
- THIS DRAWING IS TO BE READ IN CONJUNCTION WITH ALL OTHER PROJECT DRAWINGS
- ALL DETAILS AND DRAWINGS MUST BE READ IN CONJUNCTION WITH THE "TW NATIONAL CONSTRUCTION SPECIFICATION"
- BEAM AND BLOCK / RAFT FOUNDATIONS TO STRUCTURAL ENGINEER / SPECIALIST DESIGN.
- FOR DETAILS OF CAST INSITU POWERFLOATED SUSPENDED GROUND FLOOR SLAB, SEE SPECIALIST DRAWINGS.
- DATUM 1 (MASONRY CONSTRUCTION ONLY) = FINISHED FLOOR LEVEL. TOP OF FLOATING SLAB, SUSPENDED SLAB AND RAFT FOUNDATION TO BE LEVEL WITH DPC (INSULATION POSITIONED UNDER SLABS).
- FOUNDATIONS
- FOUNDATION WIDTHS AND DEPTHS TO BE DETERMINED BY THE STRUCTURAL ENGINEER, BASED ON THE SITE INVESTIGATION REPORT / WALL FOUNDATION LOADS TO BE AGREED BY THE BUILDING CONTROL ENGINEER.
- ⊖ INDICATES REFERENCE TO WALL NUMBER AND FOUNDATION LOADS.
- CHECK SOIL REPORT FOR SPECIAL REQUIREMENTS E.G. PRECAUTIONS NECESSARY FOR SULPHATES IN SOIL ETC.
- GAS PIPES TO RUN IN GROUND FLOOR INSULATION OR, IF INTEGRAL GARAGE TYPE, WITHIN FIRST FLOOR CARCASS.

SUB-STRUCTURE DETAILS	
Foundations (Jetfloor)	EM-FD21-01-10, 11, 30, 31
Jetfloor system details / Integral garages	EM-GF21-02-01, 02, 04, 05, 07, 10, 13
Future accessible shower provision	EM-GF21-02-74
Service entry details	EM-FD21-01-70

REV	DATE	DESCRIPTION OF REVISION	DRAWN	CHECKED
C02	09.03.26	Double course plinth amended to suit weatherboard walls	SN	LE
C01	13.10.25	STATUS TO CONSTRUCTION	JF	LE
T03	23.09.25	Plinth/Stepped base added; 'Main door' label added; 2ND DPC note; Drainage run omitted	SN	LE
T02	19.06.25	Sub-structure legend updated	CC	LE
T01	22.04.25	STATUS TO TENDER	CC	LE
P01	31.03.25	Gas meter & Gas point omitted	CK	LE

Status:
CONSTRUCTION
NDSS Compliance: ADM Compliance Level:
COMPLIANT M4(2)

Mark Reeves Architects
5 Northfields Prospect, Putney Bridge Road, London, SW18 1PE
T e l : 020 8874 0484 Email : mail@mrarchitects.co.uk

Project No:
23/1024
Drg No:
EMB51 - 21P2 - 11 - C02
Project:
Grange Farm, WD (Phase 2)

Drgw Title:
AIRETON 5B7P
SUB-STRUCTURE PLAN

AS PLOT/S:
64, 66, 167, 173, 178
OPP PLOT/S:
123, 153, 177

Scale: 1:50 @A3 Date: Jan 2025
Drawn By: CC Checked By: RB

Client:
Taylor Wimpey
Taylor Wimpey UK Ltd
Gate House, Turnpike Road,
High Wycombe, Bucks HP12 3NR
Tel 01494 558323 Fax 01494 885663
www.taylorwimpey.com