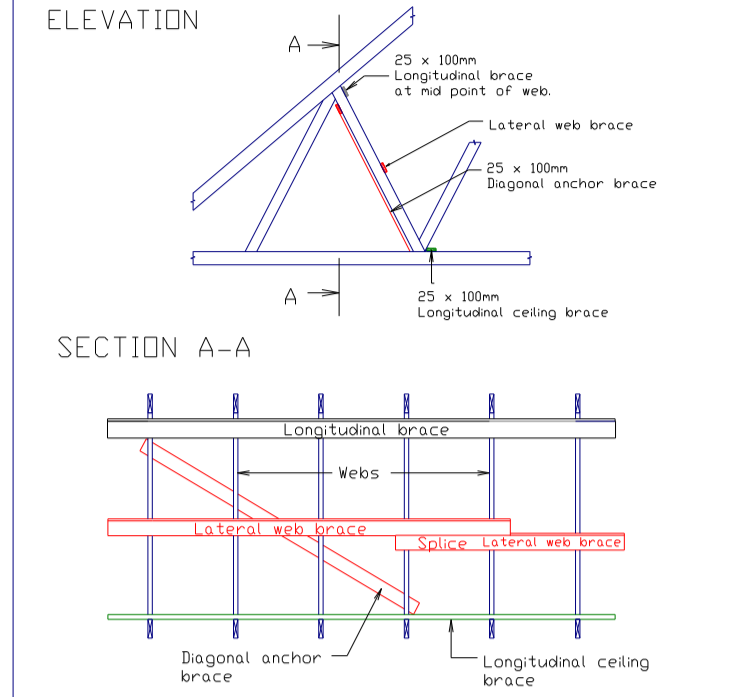


Compulsory Lateral Web Bracing.
See Additional Trussed Rafter Bracing Details For Applicable Truss Webs.



FINISHES Use 2No 3.75 dia x 75mm long round wire galv nails at each crossing.
NOTE: Install web diagonal anchor brace at each end of the web longitudinal brace & at every 6 meters maximum distance between. For run of trusses less than 3 no. use the alternative 'T' Brace detail.

Roof specification :
600mm centres
Rafter Dead load - 765 N/m2 (Tiles up to 650N/m2 + 115 N/m2 batten / felt / self-weight)
Tile type = Russell Lofthian Interlocking Concrete Tiles IN LINE PV PANELS
Snow Load 386 N/m2
Ceiling Dead load - 250N/m2
Ceiling Imposed Load - 250N/m2
Bottom Chord Live Load - 1500 N/m2
Trusses have NOT been designed to take the weight of the following items:-
GRP Chimneys, Hoist

TC1 15 OFF 38mm Truss Clip.
T82x4 T85x1 T86x1 T87x4 T88x1 T89x4
F1 16 OFF Framing Anchor. (FAS)
T82x8 T83x4 T84x2 T88x2
HM4 1 OFF 118mm 147 Heavy Multi Hanger. (HMH-118-147)
T88x1
K12 5 OFF 38mm Mini Hanger. (KM-38)
S2 1 OFF 38mm Truss Shoe. (TS-38)
T88x1
K13 17 OFF 50mm Mini Hanger. (KM-50)
HM10 1 OFF 80mm 147 Heavy Multi Hanger. (HMH-80-147)
T90x1
VS1 1 OFF VS-135-L. (VS-135-L)
T86x1
VS2 7 OFF VS-135-R. (VS-135-R)

THIS INFORMATION IS SUPPLIED IN GOOD FAITH BUT WITHOUT LIABILITY. IT IS THE BUILDING DESIGNERS RESPONSIBILITY TO ENSURE THE STABILITY OF THE OVERALL STRUCTURE.

LIMITS FOR STANDARD BRACING WALL PLATE HT. HIGHEST WIND ZONE	
< 3.0 m	A
< 5.7 m	0
< 8.4 m	0

IN ACCORDANCE WITH PD 6693-1 ANNEX E

GENERAL NOTES:
This drawing is to be read in conjunction with relevant Architect's and Engineer's details.
Truss rafters designed to BS EN1995-EC5 (UK) and generally spaced at 600mm centres. All truss rafters to be erected truly vertical and parallel. All single trussed rafters to be fixed to wallplate using truss clips. All multiple truss rafters to be fixed to wallplate using 4 no. framing anchors. Wallplates (Generally 50mm x 100mm TR26) to be securely fixed to brickwork and/or steel beams. Where required lateral restraint straps to be fixed at every gable and party wall. Straps to be 30mm x 5mm thick (or equivalent) galvanized steel, fixed to minimum 3 No. trusses and noggins using at least 4 no. fixings of which at least one to be in the third rafter.
All trussed rafter details to be checked and approved by client prior to manufacture.

BRACING NOTES:
Layout and bracing scheme based on PD 6693-1. The bracing scheme shown is for roof stability only and to resist the effects of wind drag on the roof surface. It is assumed that sufficient wall stability is provided by the ceiling level bracing in conjunction with the plasterboard. All braces (unless stated otherwise) to be 25x100mm and fixed to every truss they cross and the wallplate using minimum 2 No. 3.35mm x 65mm galvanized round wire nails (3.1 x 90mm long mechanically driven gun nails may be substituted for the 3.35 x 65mm nails). All lap joints to be side by side and over at least two trusses. Where bracing members cross each other, one brace should be stopped at adjacent trusses and an extra 25x100mm continuity provided and fixed to a minimum two trusses either side of the break. Where chevron web bracing is specified, it should be installed continuously along the line of the web, each brace should be inclined approximately 45 deg over at least three trusses. The ends of all braces to be securely anchored.

CDM NOTES:
For CDM regulations we are required by law to confirm the Client is aware of their duties under CDM and have a copy of the pre-construction information from the health and safety file concerning the design. Without this information we cannot complete a full risk assessment. In the absence of this information this drawing is issued on a preliminary basis only.

For CDM considerations and regulations:
Issued with these drawings is a set of trussed rafter component and trussed rafter roof assembly health and safety hazards which should be brought to the attention of the Principle Designer and Client for inclusion in the safety file.

HAZARD - WORKING AT HEIGHT:
We recommend the use of platforms to work from and as a last resort safety netting to restrict falls. We recommend the use boards below truss ceiling tie level, particularly for complex and top hat truss roofs and where extra services may be required. Board trusses at each level of construction at the earliest possible point. Consideration should be given to reducing erection and assembly work at high level by, for example, pre-fabrication of roof sections at ground level.

TRUSSES MAY NOT BE NOTICED, DRILLED OR CUT WITH THE EXCEPTION OF OVERHANGS, WITHOUT THE EXPRESS PERMISSION OF THE ROOF TRUSS MANUFACTURER.

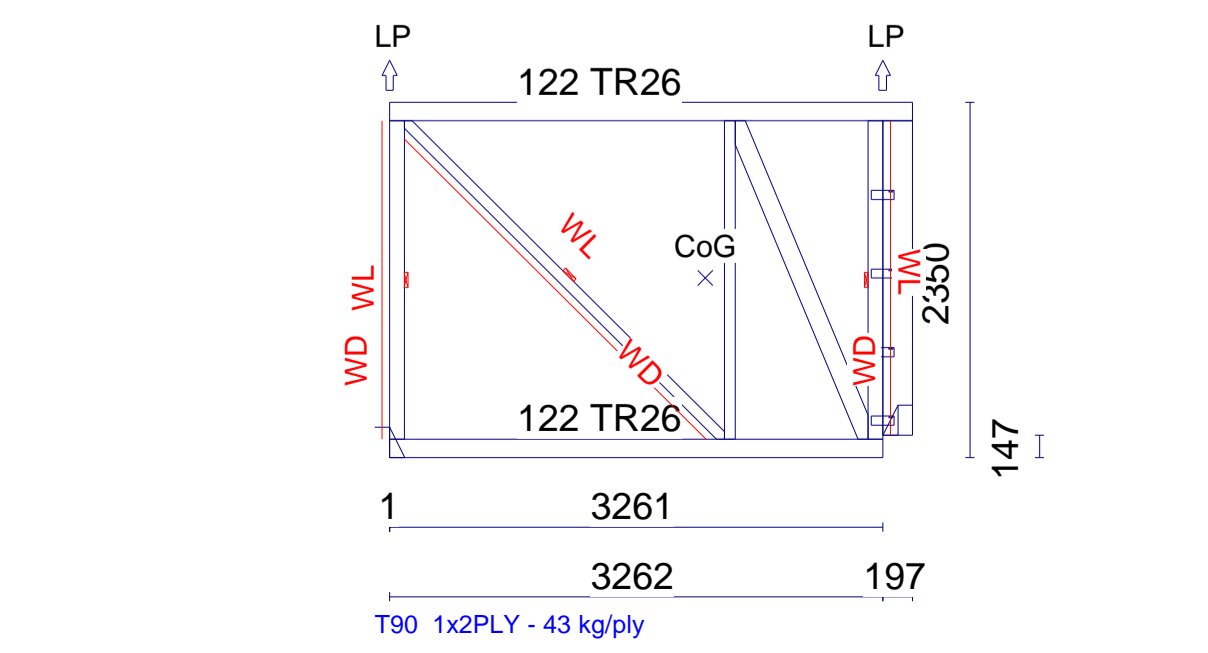
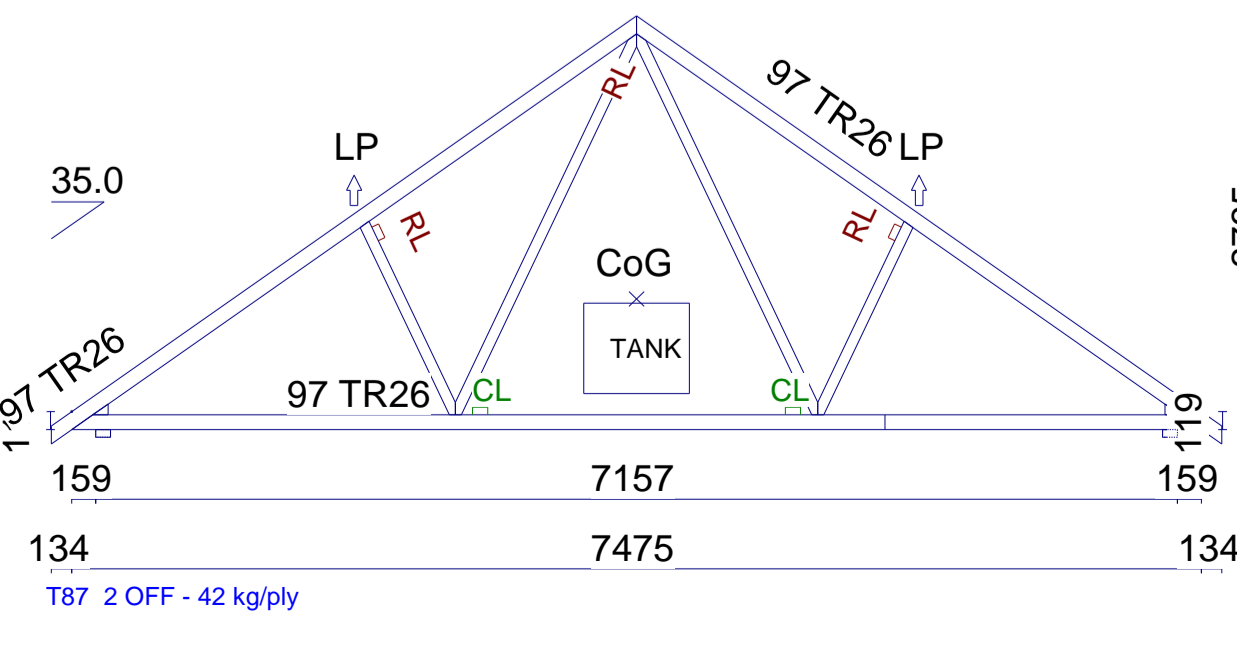
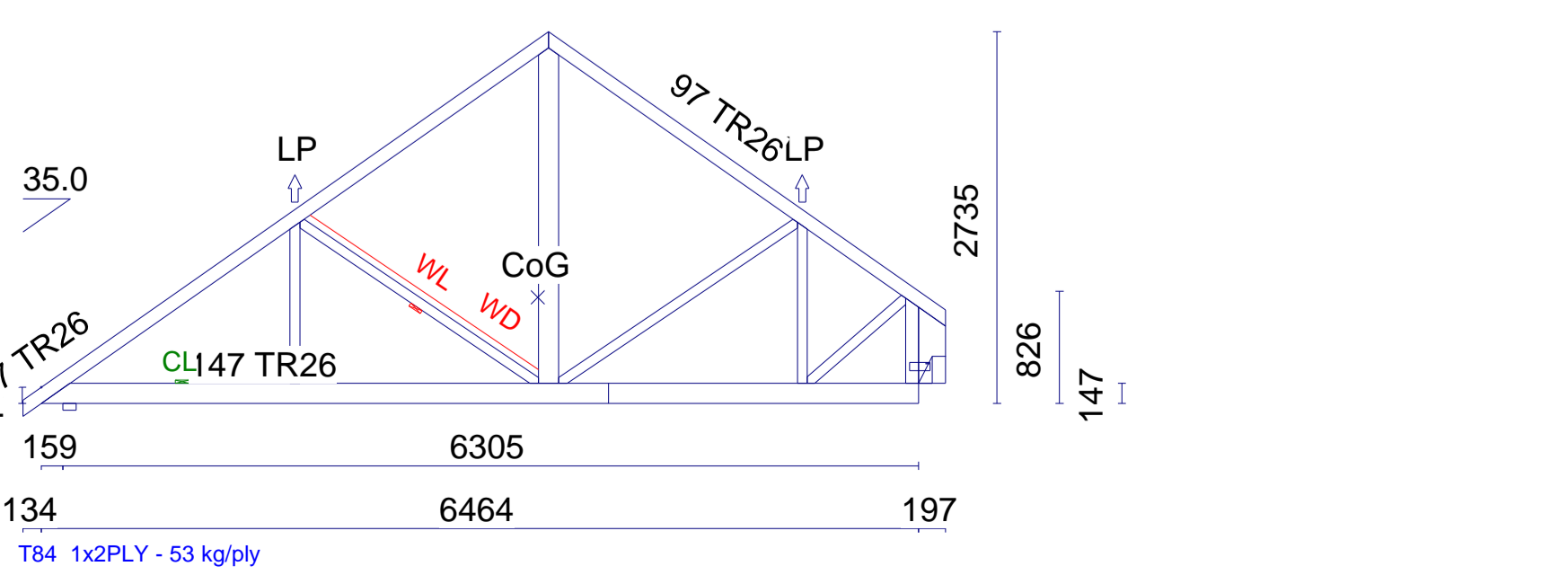
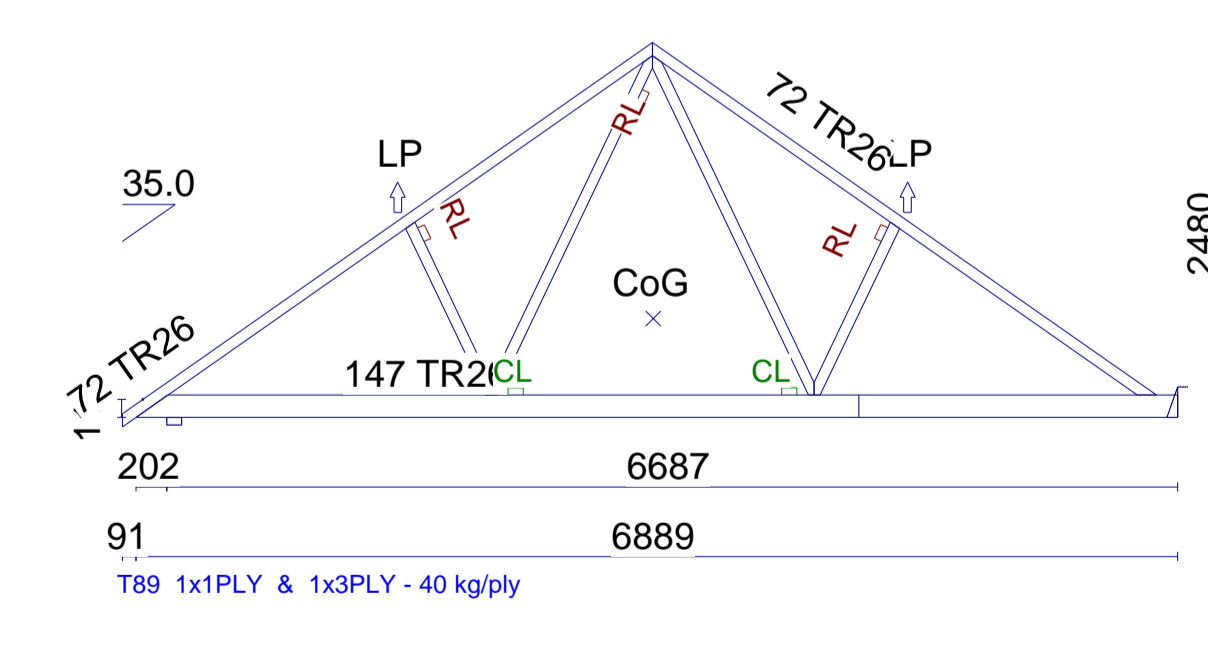
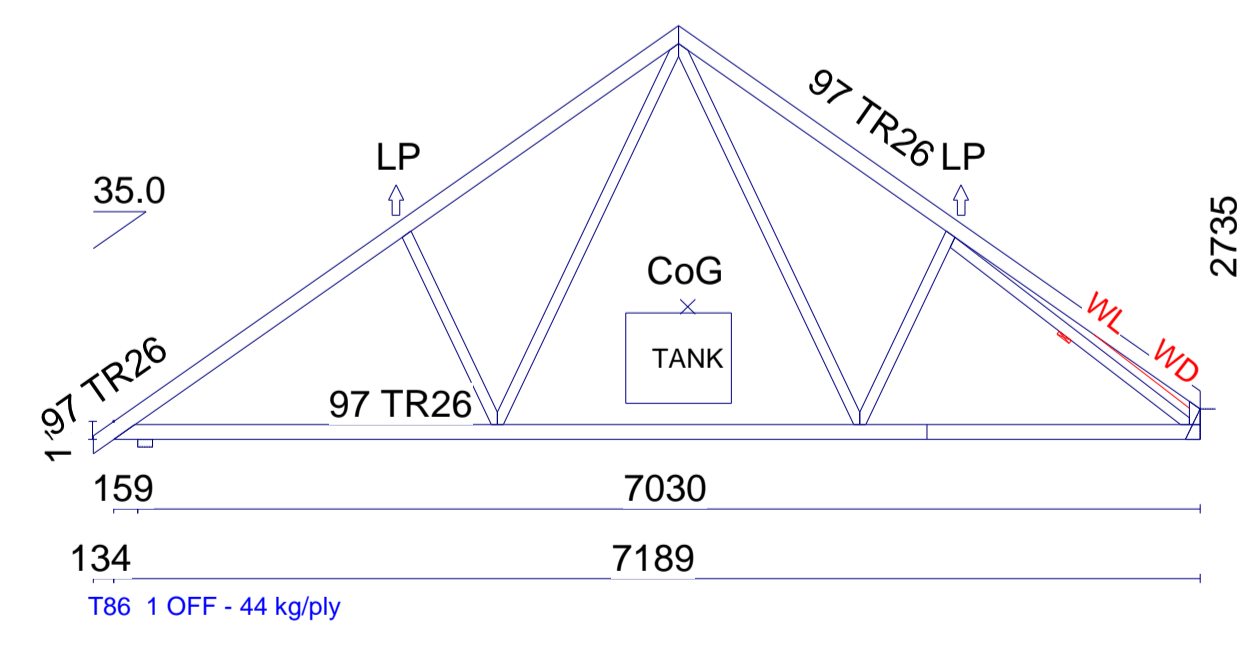
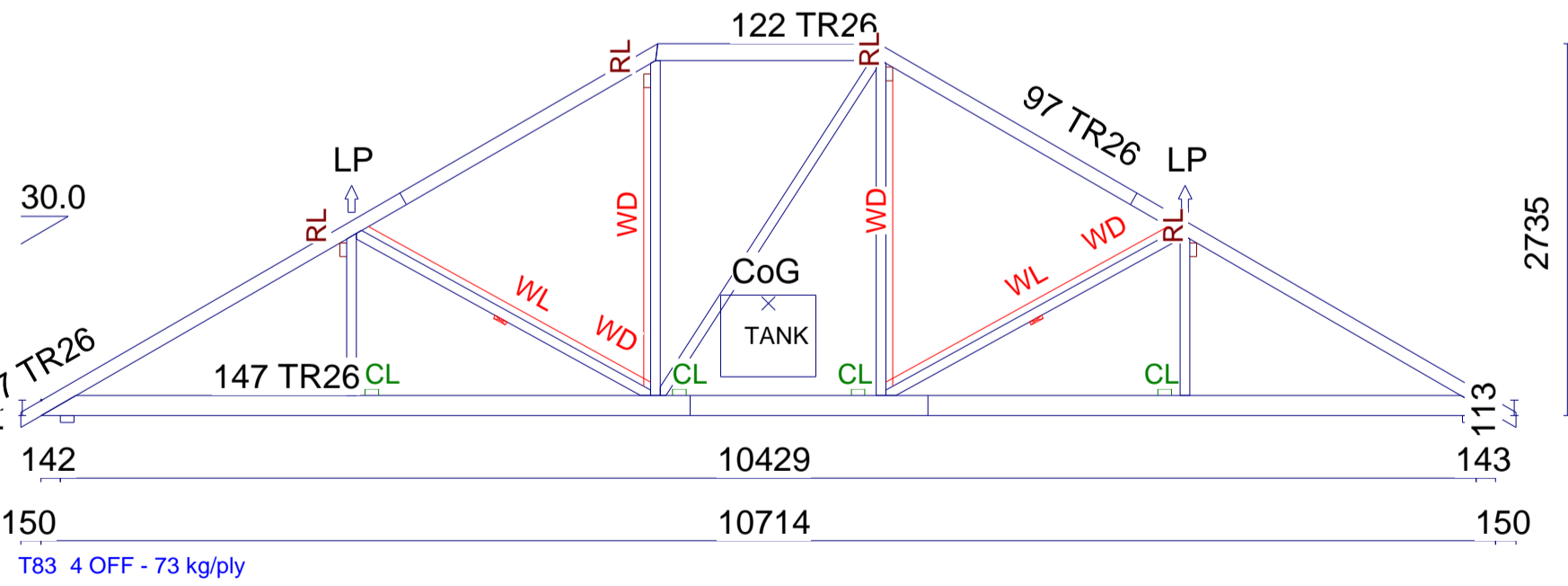
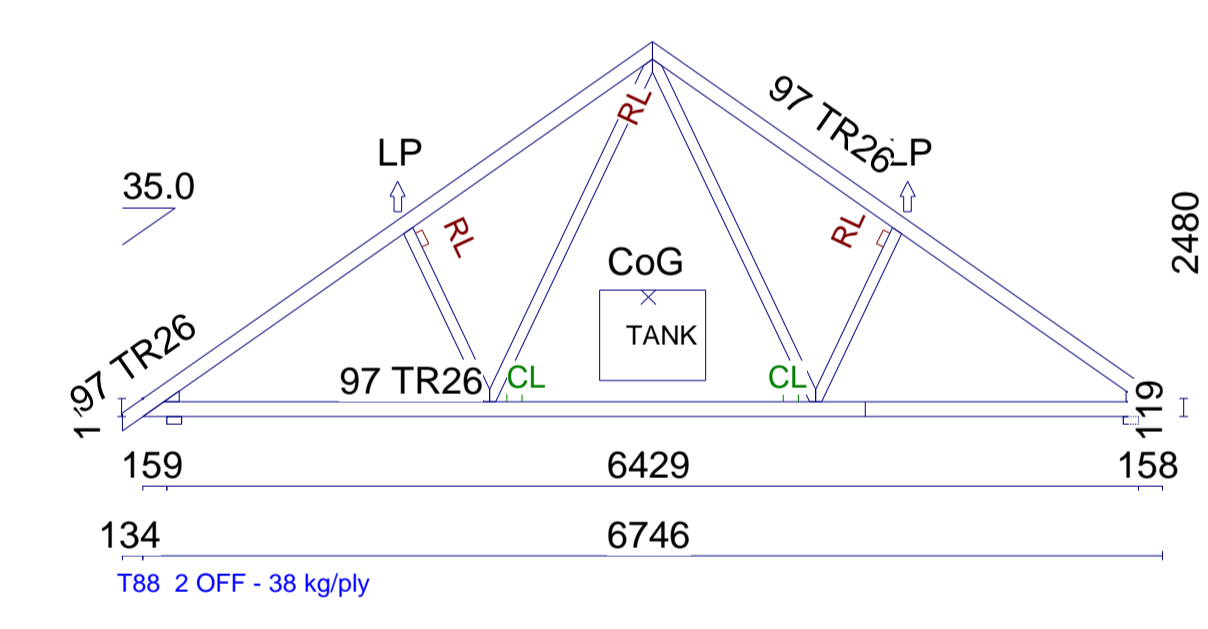
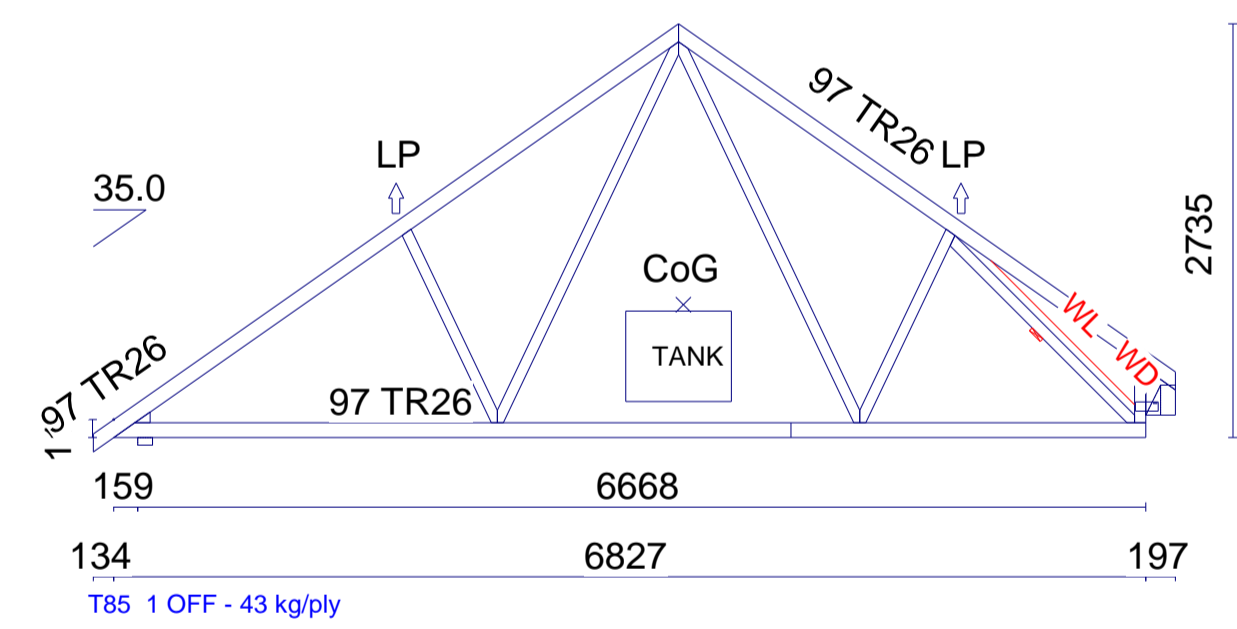
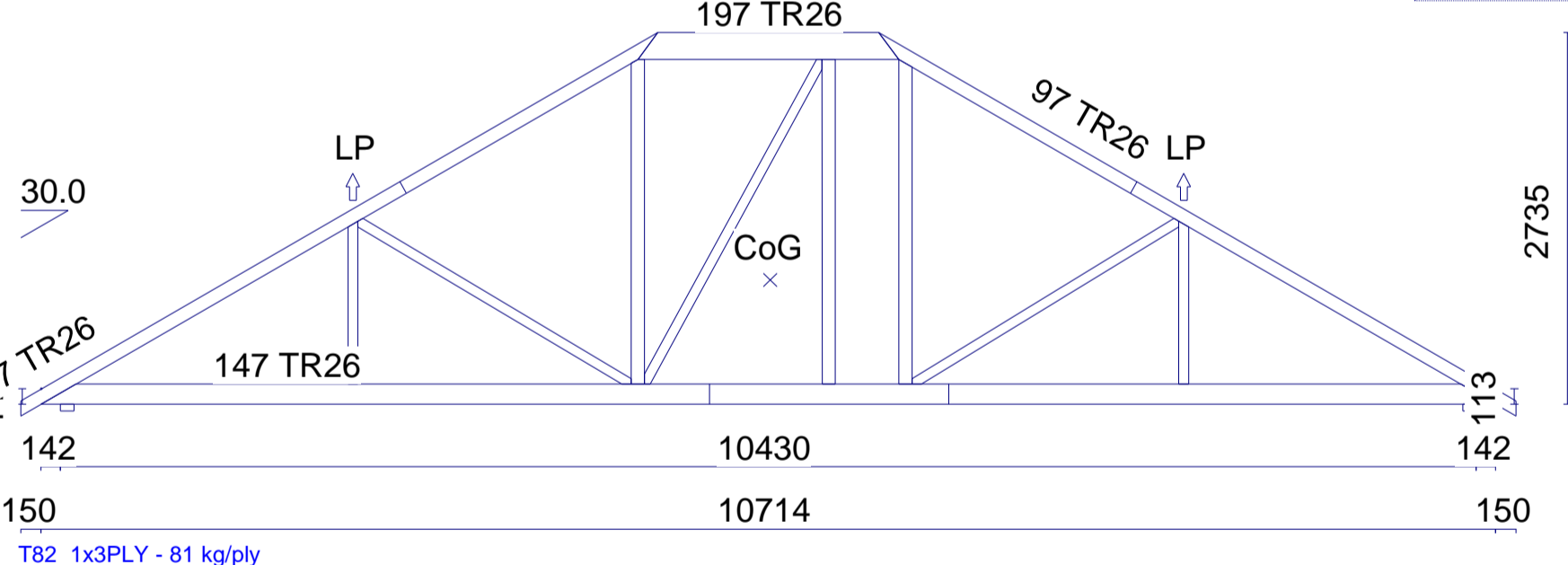
STRUCTURE:
The builder must ensure suitable strength support is provided at the bearing point of all trusses and in particular girders trusses and multiple components.

GIRDER FINISH:
Principle girders are formed from multiple components, i.e. 2,3 or 4 trusses fixed together. The components are supplied to site in separate pieces for fixing in situ. Truss chords must be bolted together and all other members may be nailed. Full details of fixings, i.e. size, spacings and positions are fully detailed on the girder fixing sheets attached to delivery tickets. If extra sets are required please do not hesitate to ask.

GIRDER SHOES / TRUSS SUPPORTS:
All truss to truss or truss to timber connections must be via girder truss shoes providing a min. 75mm bearing to the trusses. Fixing of the shoes must utilise all nail holes and bolt holes as appropriate and the nails should be 30x 3.75mm square twist nails. Bolt fixings will be specified accordingly. Special support details will be shown separately as necessary.

VALLEY AREAS:
Where roof areas overlay trussed rafters the members of the lower trusses must be restrained at a maximum spacing of 400mm. Tiling battens are sufficient for this purpose.

ERECTION:
The responsibility for correct erection rests with the site supervisory personnel. The drawings supplied by Merronbrook are intended to identify the main features and principle components. It is assumed the work will be carried out and supervised by experienced and competent personnel and that exhaustive detail is not required. For further construction details and other information required please refer to the Trussed Rafter Association technical handbook site installation guide.
This is provided with the 1st delivery tickets per site and should be kept safely for reference by the site personnel.
See delivery tickets for full cutting lists of loose material supplied to complete the roof. If these lists are not adhered to, then material shortages will occur. Merronbrook take no responsibility for shortages in these circumstances.



Rev	Date	REVISIONS	Comment	Int
A	4-12-25	Updated dimensions, heel detail & loads		AH
B	20-1-26	Overlay corrected, general job		RJC
C	5-2-26	Setting out changed		RJC
D	2-3-26	Construction Issue		RJC

MERRONBROOK LIMITED, Hazeley Bottom, Hartley Wintney, Hook, Hants, RG27 8LX

Tel: 01252 844 747 Drawn : Rob Carter

Client: CALA Homes (Thames) Ltd

SITE : Brooklands College, Heath Road

LOADS: Tiles=765 Snow=386 N/m2

SPACING : 600mm DATE : 2-3-2026

Proj/Dwg No:H01045/Block F - Part 4